

P SERIES ◊ TUS-P SERIES NON-CLOG STAINLESS STEEL SUS#316 SEWAGE SUBMERSIBLE PUMP

www.grampuspump.com

Moisture-resistance cable / Vortex Impeller design / Vent bolt design
Dual SIC mechanical seal / Dry type induction motor / Motor overload protector



HENG LONG ELECTRIC CO., LTD.

P series Non-Clog Stainless Steel SUS#316 Sewage Submersible Pump



P-1052
P-3052
P-112
P-312



P-123
P-323



P-333
P-353



P-3754
P-3104



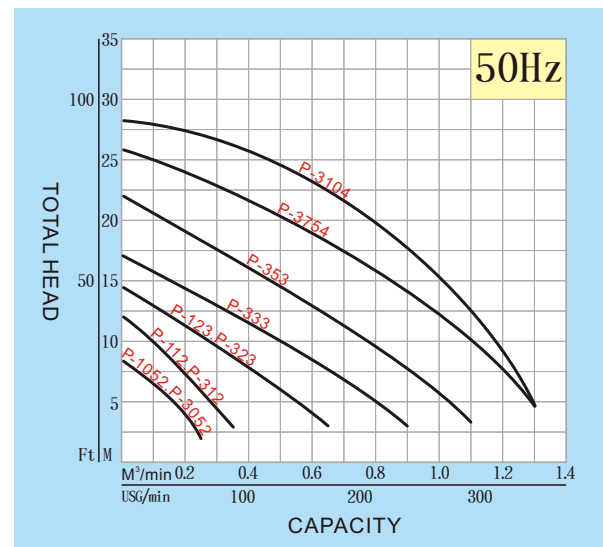
FEATURES

1. Pump cover made by SUS#316 which resists wastewater with weak-acid and weak-alkalinity.
2. Cable base and core wire are dealt with Epoxy Resin in order to prevent the moisture into the motor.
3. Volute casing is equipped with the vortex impeller without clogging situations for pumping mud and sewage effectively.
4. The mechanical seal part are combined with the high quality double silicon carbide and Viton Fluororubber gasket to improve stainless steel pumps work as well in the weak acid and weak alkalinity environment.
5. Motor is B class(130°C) insulation, enclosure IEC IP68.
6. Auto-cut prevents motor from overheat.
7. This type can be equipped with lift bracket.

APPLICATION

1. Wastewater lift station, municipal wastewater treatment plant.
2. Building wastewater treatment system.
3. Piggery excrement, animal & poultry farm.
4. School, hospital, community wastewater treatment system.
5. Food, paper, mining, textile, leather industry wastewater treatment system.

PERFORMANCE CURVE



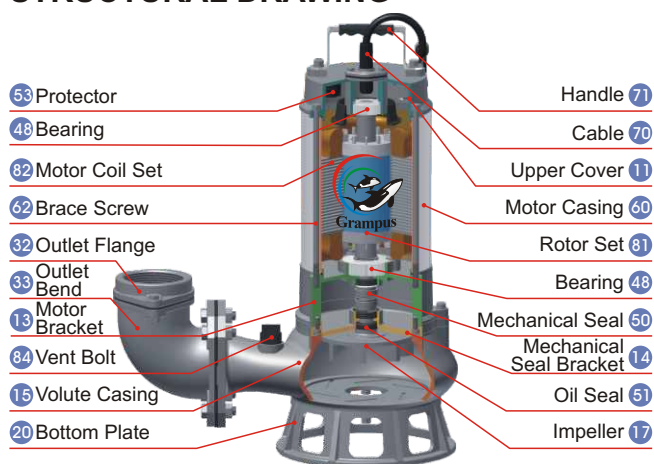
SPECIFICATION

Type	Frequency	Phase	Voltage		Power		Caliber		Pole / Rotation	Std. Head	Std. Flow	Max. Head	Max. Flow	P Weight	TUS-P Weight	Solid Passage
			VOLT	HP	KW	Inch	mm									
TYPE	Hz	PH	VOLT	HP	KW	Inch	mm	P/rpm	M	M ³ /min	M	M ³ /min	KG	KG	mm	
TUS-P-1052	50	1Ø	220	1/2	0.4	2"	50	2P/2850	5M	0.15	8M	0.25	15	26	35	
TUS-P-3052	50	3Ø	380	1/2	0.4	2"	50	2P/2850	5M	0.15	8M	0.25	15	26	35	
TUS-P-112	50	1Ø	220	1	0.75	2"	50	2P/2850	8M	0.18	12M	0.35	18	29	35	
TUS-P-312	50	3Ø	380	1	0.75	2"	50	2P/2850	8M	0.18	12M	0.35	18	29	35	
TUS-P-123	50	1Ø	220	2	1.5	3"	80	2P/2850	9M	0.30	14M	0.65	36	54	40	
TUS-P-323	50	3Ø	380	2	1.5	3"	80	2P/2850	9M	0.30	14M	0.65	35	53	40	
TUS-P-333	50	3Ø	380	3	2.2	3"	80	2P/2850	11M	0.40	17M	0.90	42	60	45	
TUS-P-353	50	3Ø	380	5	3.7	3"	80	2P/2850	14M	0.50	22M	1.10	45	63	40	
TUS-P-3754	50	3Ø	380	7 1/2	5.5	4"	100	2P/2850	16M	0.80	26M	1.30	55	73	50	
TUS-P-3104	50	3Ø	380	10	7.5	4"	100	2P/2850	20M	0.80	28M	1.30	60	78	50	

P series Non-Clog Stainless Steel SUS#316 Sewage Submersible Pump



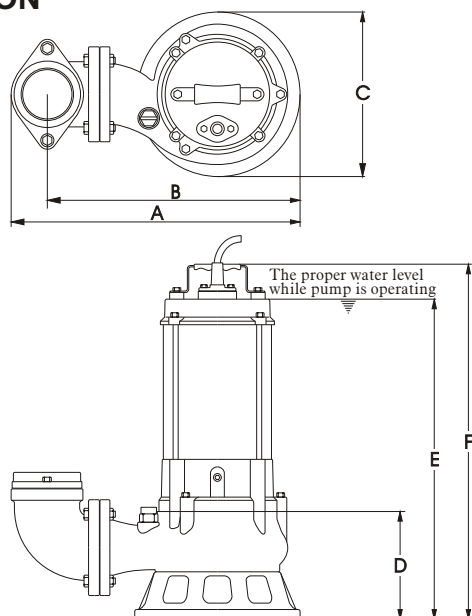
STRUCTURAL DRAWING



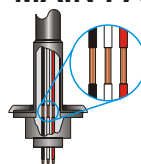
MATERIAL AND STANDARD TABLE

	Caliber	50mm · 80mm · 100mm	
Liquid	Temperature	0°C ~ 40°C (32°F ~ 104°F)	
	Application	Available to deal with wastewater of building, sewer and industrial wastewater of food, paper, mining, textile, leather, dyeing and metal.	
	The lowest depth	▽30 M	
	Structure	Impeller: Vortex Impeller Seal: Dual Mechanical Seal	
Pump	Material	Upper Cover: SUS-316	
		Bearing: Heavy-duty bearing	
		Impeller: SUS-316	
		Volute Casing: SUS-316	
		Motor Bracket: SUS-316	
		Mechanical Seal Bracket: SUS-316	
		Strainer: SUS-304(0.5-1HP)	
		Bottom Plate: SUS-316(2-10HP)	
		Seal	Lubricant: ISO VG. # 32
			Motor Side: Carbon / Ceramic
Pump Side: Silicon Carbide / Silicon Carbide / VITON			
Automatic lifting frame device	SUS#304		
Motor	Material	Type: Submersible dry type	
		Insulation class: B class (155°C) / F class (7.5-10HP)	
		Inner protector: Auto Reset Motor Protector	
		Casing: SUS-316	
		Main Shaft: SUS-316	
		Cable: Standard VCT / Optional	

DIMENSION



MAIN PART



Waterproof Cable Base

Our motor wire has the highest quality waterproof treatment to prevent moisture into motor from gaps or other situations.



Protector

The automatic reset motor overload protector will shut itself off automatically to prevent overheat whenever its voltage drop, impeller plugged, the drainage line is below the watermark and other unusual conditions.



Motor

Made from 2 Pole dry type motor with insulation class B (130°C) which is sustainable in high temperature.



Ball Bearing

Precision ball bearing, whose character is high circumgyration, low noise, low vibration and low wear torque, increases long service life.



Dual Silicon Carbide Mechanical Seal

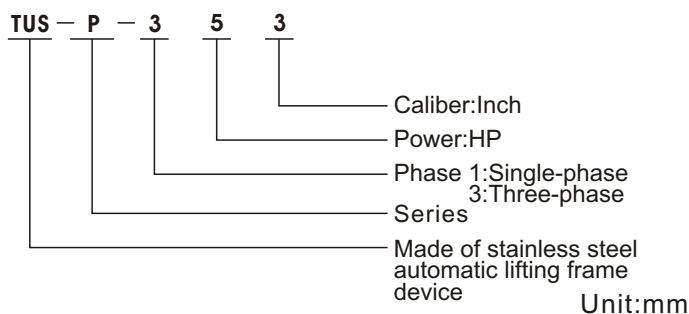
The Mechanical Seal Part are combined with high quality double silicon carbide and Viton Fluororubber gasket to effectively improve the seal's hard-wearing and resist the acidity and alkalinity. Both on the seal's top and bottom have the roller face can improve the water-resisting property and extend the using life.



Vortex Impeller

The vortex impeller not only could drain out solid object and long fiber object, but also it will be without touching the impeller in which reduce the abrasion and approach lif extension.

TYPE EXPLANATION



TYPE	A	B	C	D	E	F
P-1052	235	195	160	105	355	405
P-3052	235	195	160	105	330	385
P-112	235	195	160	105	385	440
P-312	235	195	160	105	360	395
P-123	310	260	205	120	475	530
P-323	310	260	205	120	425	475
P-333	425	370	230	195	465	530
P-353	425	370	230	195	490	550
P-3754	500	395	230	225	515	585
P-3104	500	395	230	225	535	605

TUS-P series (Guide Rail System)



According to the situation of set up is different at project scene, our Lifting Device doesn't include the Guide Rail. Guide Rail needs to be purchased optional.

TUS-P-1052
TUS-P-3052
TUS-P-112
TUS-P-312



TUS-P-123
TUS-P-323
TUS-P-333
TUS-P-353.
TUS-P-3754
TUS-P-3104



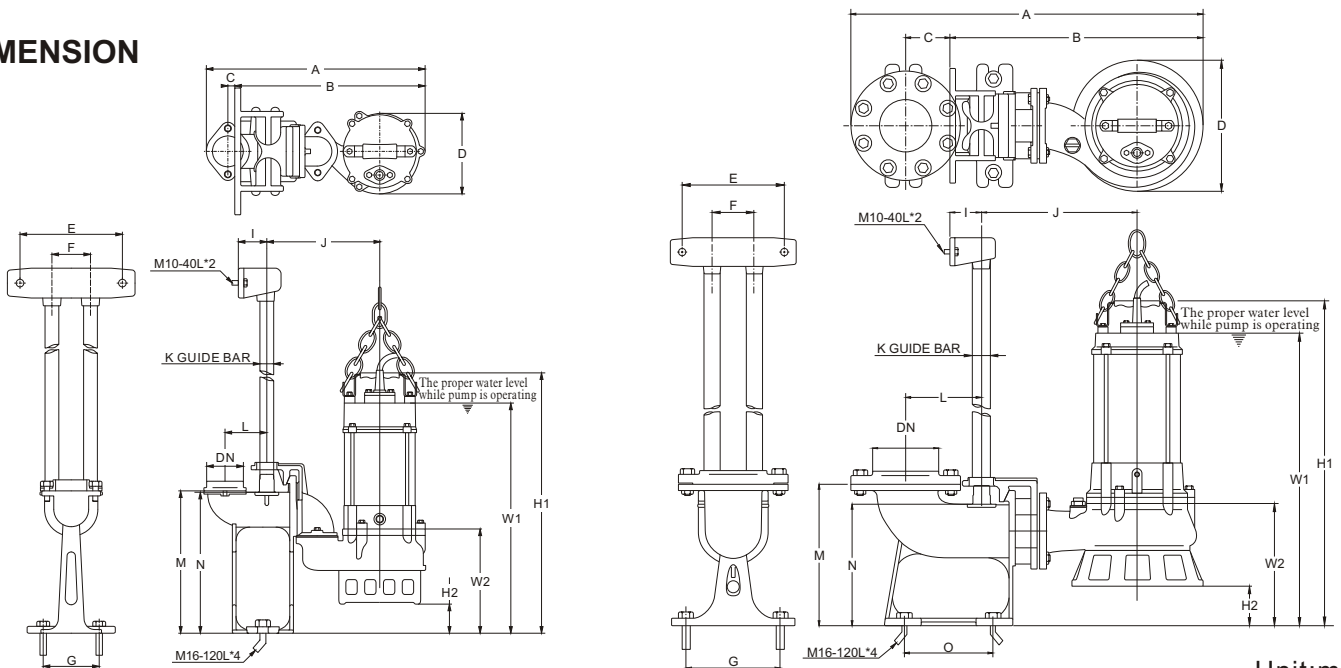
FEATURES

Operators do not need to enter the tank to uninstall or maintain the parts or others. It can prevent them from injury and avoid the equipment damage. This set of pump emphasizes the safety for operators.

APPLICATION

Piggery excrement, factory sewage, food-processing factory, leather factory, paper-dyeing, iron and steel, and various industries.

DIMENSION



Unit:mm

TYPE	DN	A	B	C	D	E	F	G	I	J	K	L	M	N	O	W1	W2	H1	H2
TUS-P-1052	50	400	350	15	145	185	70	100	50	205	1"	75	256	254		420	200	485	65
TUS-P-3052	50	400	350	15	145	185	70	100	50	205	1"	75	256	254		395	200	460	65
TUS-P-112	50	400	350	15	145	185	70	100	50	205	1"	75	256	254		455	200	515	65
TUS-P-312	50	400	350	15	145	185	70	100	50	205	1"	75	256	254		425	200	490	65
TUS-P-123	80	470	390	30	205	185	70	100	50	225	1"	90	266	264	125	665	280	650	135
TUS-P-323	80	470	390	30	205	185	70	100	50	225	1"	90	266	264	125	560	280	610	135
TUS-P-333	80	530	450	30	235	185	70	100	50	270	1"	90	266	264	125	580	285	645	110
TUS-P-353	100	670	480	85	235	195	80	180	60	300	1 1/4"	145	270	235	170	555	240	620	65
TUS-P-3754	100	670	480	85	235	195	80	180	60	300	1 1/4"	145	270	235	170	585	235	665	70
TUS-P-3104	100	670	480	85	235	195	80	180	60	300	1 1/4"	145	270	235	170	605	235	685	70

HENG LONG

HENG LONG ELECTRIC CO.,LTD.
E-mail:service@grampusump.com
Http://www.grampusump.com

Specialized Manufacturer of Submersible Pump · Made in TAIWAN

ISO 9001 Certified

- 1.Product supported by continuously research and improvement. We reserve the right to modify the specifications, capabilities and accessories of all products.
- 2.Please inform the detailed type, application, phase, power, caliber, voltage and head before order. It is easy to obtain a suitable model.
- 3.All the capabilities and specifications are subject to the products. If the voltage and frequency is specific standard, please customize in advance.